

Accessories for 250 A Connectors

DJ250, DJ250-T1, DJ250-T2, DJ250-4 Installation Instructions

Service Information

IS550-12-1

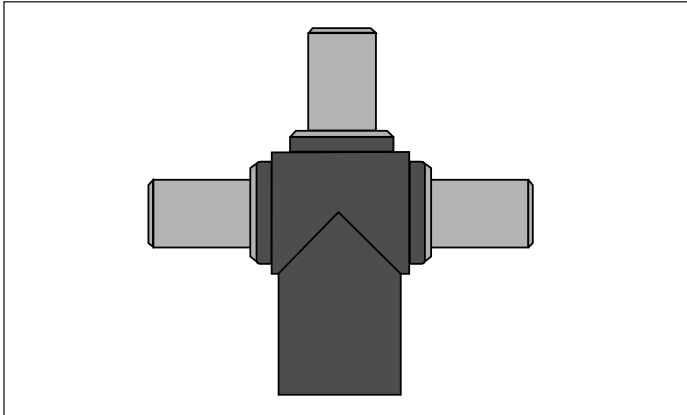


Figure 1.
DJ250 Deadbreak Junction.



Figure 1.
DJ250-T1 Deadbreak Junction.

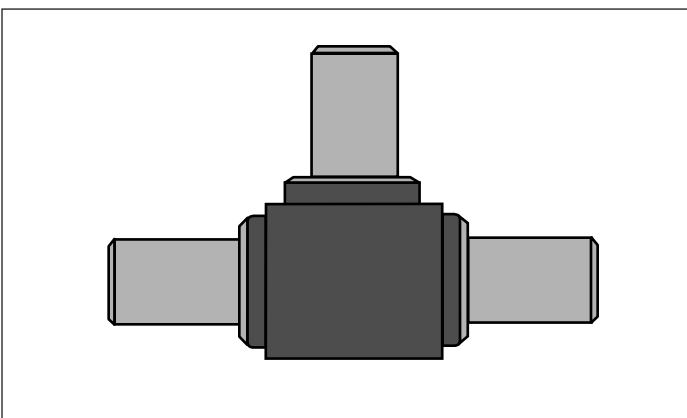


Figure 1.
DJ250-T2 Deadbreak Junction.

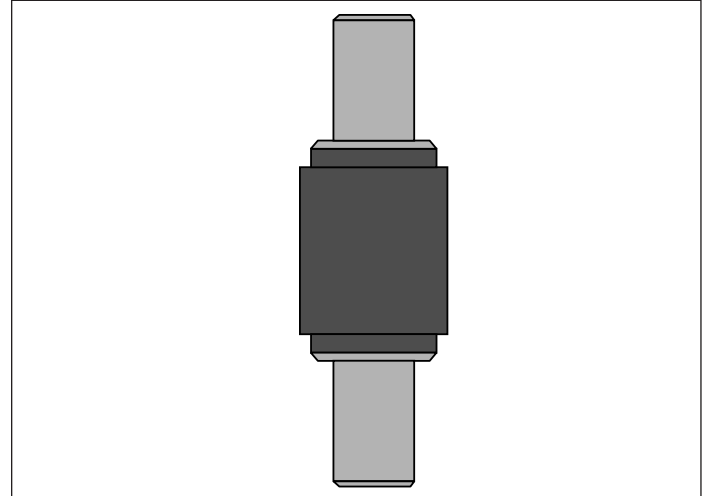


Figure 1.
DJ250-2 Deadbreak Junction.

NOTE: These junctions can only be installed or removed when the equipment is de-energised.

- This earthing plug kit includes the following:
 - DJ250 Junction
 - Silicone Lubricant
 - Paper Towel
 - Installation Instructions

INSTALLATION PROCEDURE

Step 1

Position the junction so that the mating elbows and straight connectors will install on the junction without mechanical stress from the cables.

Step 2

Remove the protective shipping caps.

Step 3

Clean and lubricate each junction bushing interface, using the supplied lubricant.

Step 4

Push the 250A elbow or straight connector onto the interfaces.

Step 5

Install the legs of the bails onto the bail tabs of the junction bracket.

Step 6

Tighten the bail in accordance with the manufacturer's instructions.



SAFETY FOR LIFE



Cooper Power Systems products meet or exceed all applicable industry standards relating to product safety. We actively promote safe practices in the use and maintenance of our products through our service literature, instructional training programs, and the continuous efforts of all Cooper Power Systems employees involved in product design, manufacture, marketing and service.

We strongly urge that you always follow all locally approved safety procedures and safety instructions when working around high-voltage lines and equipment and support our “Safety For Life” mission.

SAFETY INFORMATION

The instructions in this manual are not intended as a substitute for proper training or adequate experience in the safe operation of the equipment described. Only competent technicians, who are familiar with this equipment should install, operate and service it.

A competent technician has these qualifications:

- *Is thoroughly familiar with these instructions.*
- *Is trained in industry-accepted high- and low-voltage safe operating practices and procedures.*
- *Is trained and authorized to energize, de-energize, clear, and ground power distribution equipment.*
- *Is trained in the care and use of protective equipment such as flash clothing, safety glasses, face shield, hard hat, rubber gloves, hotstick, etc.*

Following is important safety information. For safe installation and operation of this equipment, be sure to read and understand all cautions and warnings.

Safety Instructions

Following are general caution and warning statements that apply to this equipment. Additional statements, related to specific tasks and procedures, are located throughout the manual.

⚠ DANGER: Hazardous voltage. Contact with high voltage will cause death or severe personal injury. Follow all locally approved safety procedures when working around high- and low-voltage lines and equipment.

⚠ WARNING: Before installing, operating, maintaining, or testing this equipment, carefully read and understand the contents of this manual. Improper operation, handling or maintenance can result in death, severe personal injury, and equipment damage.

⚠ WARNING: This equipment is not intended to protect human life. Follow all locally approved procedures and safety practices when installing or operating this equipment. Failure to comply may result in death, severe personal injury and equipment damage.

⚠ WARNING: Power distribution equipment must be selected for the intended application. It must be installed and serviced by competent personnel who have been trained and understand proper safety procedures. These instructions are written for such personnel and are not a substitute for adequate training and experience in safety procedures. Failure to properly select, install or maintain this equipment can result in death, severe personal injury, and equipment damage.

Hazard Statement Definitions

This manual may contain four types of hazard statements:

⚠ DANGER: Indicates an imminently hazardous situation which, if not avoided, will result in death or serious injury.

⚠ WARNING: Indicates a potentially hazardous situation which, if not avoided, could result in death or serious injury.

⚠ CAUTION: Indicates a potentially hazardous situation which, if not avoided, may result in minor or moderate injury.

⚠ CAUTION: Indicates a potentially hazardous situation which, if not avoided, may result in equipment damage only.

